



COLD SHEET-METAL PAD S.r.l.

Imbottitura Lamiera a Freddo

www.coldsheet.eu

info@coldsheet.eu



Azienda Certificata
UNI EN ISO 9001:2015
n° 12049-A

FONDELLI NORMALI

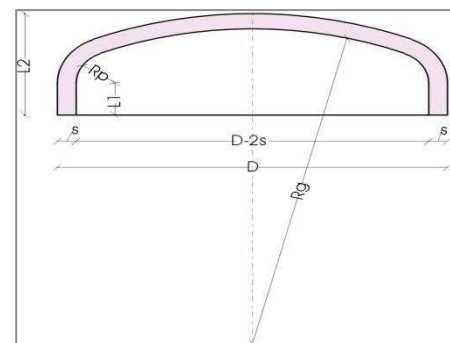
FONDI BOMBATI A SALDARE DI TESTA IN LAMIERA S235 JR "EN 10204 - 3.1"
RIFILATI - NON MARCATI

VALIDO DAL 01.02.2017

REV. 1/2017

CODICE INTERNO	POLLICI	DIAM. MM.	SPESS. MM.	H. EST. (L2)	BORDO MM (L1)	RAGGIO GRANDE Rg	RAGGIO PICCOLO Rp	PESO NETTO IN Kg.	EURO
F021	1/2"	21,3	2,0	10,00	4,0	21,3	2,13	0,015	0,22
F026	3/4"	26,9	2,3	11,26	4,0	26,9	2,69	0,019	0,22
F057	1" 3/4	57,0	3,0	17,55	5,0	57,0	5,70	0,090	0,44
F060	2"	60,3	2,9	19,42	6,0	60,3	6,03	0,100	0,47
F089	3"	88,9	3,2	26,00	7,5	88,9	8,89	0,220	0,87
F121		121,0	3,0	34,34	11,0	121,0	12,10	0,410	1,47
F159		159,0	4,0	41,60	10,0	159,0	15,90	0,809	4,23
F168	6"	168,0	4,0	43,60	10,0	168,0	16,83	0,860	4,33
F193		193,7	4,0	50,74	15,0	193,7	19,37	1,340	5,96
F219	8"	219,1	4,0	52,00	20,0	219,1	21,91	1,690	7,35
F244		244,5	4,0	52,00	15,0	244,5	24,45	1,850	8,09
F273	10"	273,0	4,0	62,00	15,0	273,0	27,30	2,520	11,67
F300		300,0	3,0	80,00	25,0	300,0	30,00	3,000	14,00
F323	12"	323,9	4,0	63,80	15,0	323,9	32,39	3,570	14,90
F355	14"	355,6	5,0	91,25	20,0	355,6	35,50	5,580	32,45
F406	16"	406,4	5,0	108,16	25,0	406,4	46,40	5,840	34,80
F450		450,0	4,0	104,00		450,0	45,0	7,00	37,50
F480		480,0	4,0	130,00	34,95	480,0	48,00	9,000	38,80
F500		500,0	4,0	116,00	36,0	500,0	50,00	9,000	46,50
F550		550,0	3,0	130,00		550,0	55,00	10,00	-
F550		550,0	4,0	130,00		550,0	55,00	10,500	-
F600		600,0	4,0	136,00	17,70	600,0	60,00	16,000	58,00
F800		800,0	5,0	184,00		800,0	80,00	22,000	110,00
F900		900,0	5,0	213,00		900,0	90,00	27,50	-
F950		950,0	4,0	140,00		950,0	95,00	30,00	165,00
F1117		1117,0	5,00	345,00		111,7		46,00	-

Il presente listino sostituisce e annulla il precedente



Fondi Bombati a norma - COMPONENTI METALLICI STAMPATI A FREDDO

Sede legale e magazzino: Via del Lavoro, 6 - 31040 Nervesa della Battaglia (Tv) - Z.I. DUS - ITALY

Tel. +39 0422885637 - Fax +39 0422879613

R.E.A. Treviso n. 320271 - Part. IVA e C.F. 03573130279